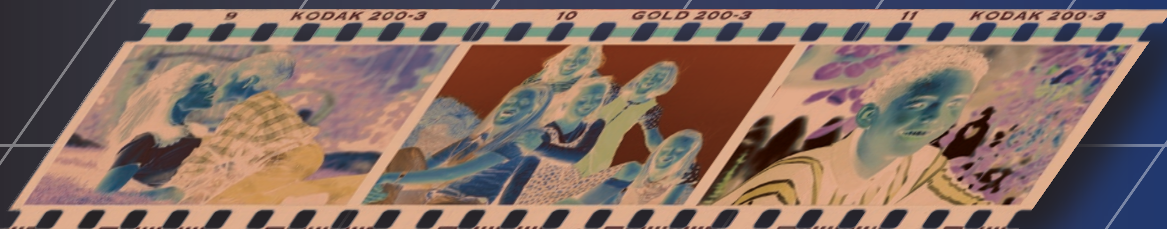


QSF-T15

NORITSU

QSF-T15

Film Processor



Noritsu QSF-T15 Film Processor



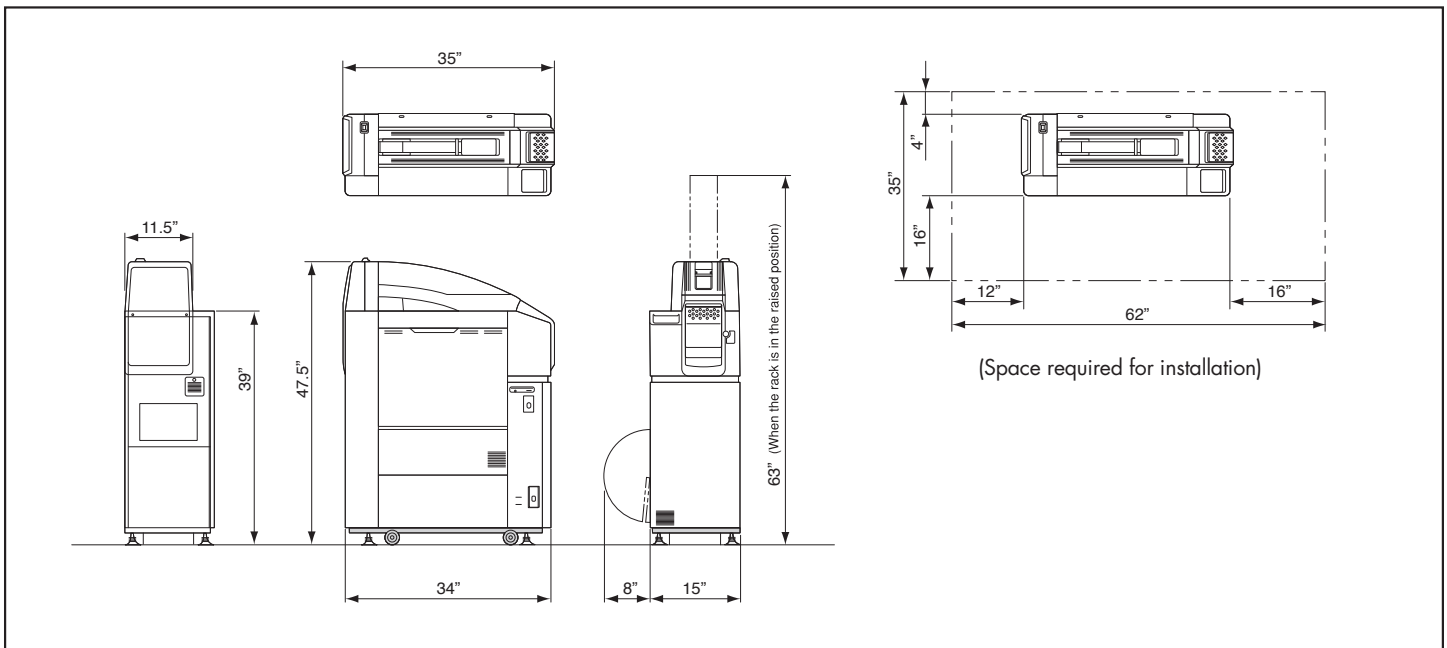
- Suitable for low-volume labs. Chemicals can be maintained with minimal processing.
- The Noritsu QSF-T15 will process 110, 135 and IX240 film.
- Internal replenishment and waste solution tanks with level sensors.
- Automatic water replenishment.
- Simplified loading. Loading box cover interlock.
- Ultra compact design.
- Operates on normal household power supply.

QSF-T15 SPECIFICATIONS	
FILM SIZE:	110, 135, IX240
FILM TYPES:	FILM THAT CAN BE PROCESSED WITH C41 PROCESSING (RA & SM)
METHOD:	SHORT LEADER TRANSPORT (SINGLE LANE TRANSPORT)
PROCESSING SPEED:	STANDARD/SM : 14 IN/MIN
MINIMUM NUMBER OF ROLLS:	11 ROLLS/DAY (135-24 EXP.)
AUTOMATIC WATER REPLENISHMENT:	INTERNAL WITH LEVEL SENSORS
AUTOMATIC CHEMICAL REPLENISHMENT:	WITH SOLUTION LEVEL ALARMS
WASTE SOLUTION TANKS:	INTERNAL WITH LEVEL SENSORS
POWER REQUIREMENTS:	AC100~240V 12A (SINGLE PHASE, 100v)
DIMENSIONS:	35" (L) x 15" (W) x 47.5" (H)
WEIGHT:	STANDARD: 249.1 LBS. (DRY) + 75.2 LBS. (SOLUTION) + 11.7 LBS. (WATER) = 336 LBS. SM: 273.4 LBS. (DRY) + 36.2 LBS. (SOLUTION) + 11.7 LBS. (WATER) = 321.3 LBS.

PROCESSING CAPACITY*	
FILM SIZE	ROLLS PER HOUR
135 (24 exp.)	14
IX240 (25 exp.)	14
110 (24 exp.)	19

*Calculated according to our criteria. The actual capacity you achieve may be different.

QSF-T15 Film Processor



• **Noritsu America Corporation:** 6900 Noritsu Avenue, Buena Park, California 90620-1372 (714) 521-9040 • **Western Regional Office:** 6950 Noritsu Avenue, Buena Park, California 90620-1311 (714) 521-9040 • **Eastern Regional Office:** 336 Route 46 East, Fairfield, New Jersey 07004-2429 (973) 808-9898 • **Midwest Regional Office:** 755 Tollgate Road, Elgin, Illinois 60123-9301 (847) 888-8000 • **Southern Regional Office:** 2989 North Stemmons Freeway, Dallas, Texas 75247-6193 (214) 631-2400 • **Government Sales Office:** 8000 Towers Crescent Drive, Suite 1350, Tysons Corner, Virginia 22182-2700 (703) 821-0007 • **Subsidiary:** Noritsu Canada Ltd.: 2680 Argentia Road, Mississauga, Ontario, Canada, L5N 5V4 (905) 567-8982 • **Subsidiary:** Noritsu de México S.A. de C.V.: Plaza Mayorazgo de Luyando No. 7, Col. Xoco, Delegación Benito Juárez, C.P. 03330 México, D.F. (52) 5-601-0429

www.noritsu.com

NORITSU